

A comparison between the GREEN series and the MT4000 series

The first product of MT4000 series is listed in 2007. It has been over 10 years ago. More than a million products are sold to more than 40 countries and regions in the world. It serves many industries and has become a classic work based on the human machine interface of Linux platform. In the new era, we inherit the development experience of the more than 10 year professional human machine products and absorb the latest technological achievements of the semiconductor industry. Then we continue to innovate and launch a new generation of industrial human-machine interface - GREEN series.

The Green series is based on open Linux operating system and uses the CPU platform with over 10 years life cycle. After 1 recent year of market inspection at the user side, the products become more reliable, stable and have excellent performance, which is an ideal choice for seeking long-term stable and high quality human machine interface.

| GREEN Serie | MT4000 Serie | Note |
|------------------|--------------|---|
| GH150E | MT4720TE | The 15" green series HMIs, which is the enhanced series, has more serial ports. Its installment size is different but hole dimension is same. |
| GH104E | MT4523TE | Same cutout size |
| GH070E | MT4424TE | Same cutout size |
| GH070 | MT4404T | Same cutout size |
| GH043 | MT4210T | Same cutout size |
| GH043E | MT4220TE | Same cutout size |
| G070 | MT4414T | Same cutout size |
| G070E | MT4414TE | Same cutout size |
| G070E-CAN | MT4414TE-CAN | Same cutout size |
| GL150E | | 15" Economic type |
| GL104E | MT4513TE | Same cutout size |
| GL100E | MT4532TE | Same cutout size |
| GL100 | MT4532T | Same cutout size |
| GL070E | MT4434TE | Same cutout size |
| GL070 | MT4434T | Same cutout size |
| GL043E | MT4230TE | Same cutout size |
| GI043 | MT4230T | Same cutout size |

Tips:

1. For new projects, Kinco strongly suggest our customers to choose the Green series products and don't suggest to choose the MT4000 series.
2. The old projects in MT4000 series products can be opened directly in DTools. After simulation, they can downloaded to corresponding new type HMIs.

Kinco® Automation

www.en.kinco.cn Email:sales@kinco.cn

(All trademarks and logos in this brochure are property of and registered by their respective owners.)

Kinco

HMI
Touch Screen

Kinco HMI Catalog

- GREEN Series
- Customized Series



K1E20-1811

CONTENTS

GREEN Series Description

02 GREEN Series Description

Enhanced Type

- 04 GH043/GH043E*
- 05 GH070/GH070E
- 06 GH104E*
- 07 GH150E

Standard Type

08 G070/G070E/G070E-CAN*

Economy Type

- 09 GL043/GL043E
- 10 GL070/GL070E
- 11 GL100/GL100E
- 12 GL104E*
- 13 GL150E

Customized Series

- 14 Handheld Terminal : SZ7
- 15 Embedded HMI (no front and back shell) : MT4000 Series
- 16 Construction Machinery : CZ6/CZ10
- 18 Waterproof HMI

* Remarks: It is estimated that they will listing on the fourth quarter of 2018. Coming soon.

GREEN Series Description

Concentrate on making good products and strive to create high quality human-machine interface

The GREEN series is a new generation of industrial human machine interface. It adopts new architecture design, rigorous craft support, which makes it become paradigm in high-quality human machine interface. The GREEN series adopts mainstream processor in the market. Not only does it ensure the product's life time, but also greatly improves the performance of the product.



Powerful hardware and software More comprehensive upgrades

| | | | | | |
|--------------------------------|--|---|---|---------------------------------------|-------------------------------------|
| Structure | Material Science | Color | Kernel | CPU | Memory |
| New structure & exquisite body | Higher hardness and intensity; Higher temperature resistance | 16.7M (24 bits) true color *15 inches remains unchanged | Kernel, version upgrades, more stable performance | CPU Freescale industrial class 792MHZ | The memory DDR3 is upgraded to 128M |

Kinco new generation of industrial Human Machine interface

GREEN Series

The GREEN series products use the most advantageous ARM Cortex-A7 architecture industrial-grade processors, which ensure that HMIs efficiently work.

Kinco's smart factory, provides reliable guarantee for high-quality production in long-term.

GREEN Series Contains three sub series :

GH series
 ■ **Enhanced Type**
 all models of 4.3"-17"

G series*
 ■ **Standard Type**
 7", 10"

GL series
 ■ **Economic Type**
 all models of 4.3"-15"

- Up to 4 serial ports (excluding 4.3") Ethernet,
- standard USB master port, slave port
- built-in isolation power, serial port isolation (Ethernet model)
- coating in mainboard

- 3 serial port, Ethernet
- standard USB main port, slave port
- built-in isolation power supply

- 2 serial port
- Ethernet standard USB master port, slave port (excluding 4.3")

Configuration Software :



The GREEN series cooperates with new generation free configuration software: Kinco DTools. It supports four languages versions of Chinese, English, Korean and Russian. The configuration design content supports all fonts installed in computer system. VNC achieves interoperation between HMI and HMI, HMI and PC, mobile phones (or other terminals), supports convenient components such as installment, PDF browsing and operating log records for designing guiding interface. It is the humanized design and easy to use.

GH Series 4.3"

GH043/GH043E

- Preferred models for subway, high-speed railway and other rail transit
- Main board Three-denfence treatment to effectively deal with complex environment
- Built-in isolation power to enhance reliability
- Classic shape, hidden serial port out of line



| Model | GH043* | GH043E* |
|-------------------------------------|---|---------------------------------------|
| Performance specification | | |
| Display size | 4.3" TFT | |
| Display area | 95.04mm(W)x53.86mm(H) | |
| Resolution | 480*272 pixels | |
| Display color | 16.7M color | |
| Display angle of view | 70/70/50/70(left/right/up/down) | |
| Contrast ratio | 500:1 | |
| Backlight | LED | |
| Brightness | 300cd/m ² | |
| Backlight life | More than 30000 hours | |
| Touch panel | 4 line precision resistance network (surface hardness 4H) | |
| CPU | ARM RISC 32Bit 792MHz | |
| Storage | 128MB NAND Flash Memory+128MB DDR3 Memory | |
| RTC | Built-in | |
| Extensible memory | USB Host | 1 USB Host + 1 SD Card |
| Print port | USB Host/serial port | USB Host/serial port |
| Ethernet | None | 10/100MHz self-adaption |
| Program download | USB Slave/U disk | USB Slave/U disk/Ethernet |
| Communication port | COM0:RS232/RS485/RS422; COM2:RS232 | COM0:RS232/RS485/RS422; COM2:RS232 |
| Serial port isolation | None | None |
| Electrical specifications | | |
| Input power supply | DC12V ~ DC28V,Built-in isolation power supply | |
| Rated power | 3.5W @24V DC | |
| Allowable loss of power | <3ms | |
| Insulation resistance | Over 50MΩ@500V DC | |
| Hi-pot test | 500 VAC 1 minute | |
| Structure specifications | | |
| Shell material | Engineering plastic | |
| Shape size | 154mm*89mm*60mm | |
| Cutout size | 146mm*81mm | |
| Weight | 0.4Kg | |
| Environmental specifications | | |
| Temperature of working environment | -10 ~ 55°C | |
| Humidity of working environment | 10 ~ 90% RH (non-condensing) | |
| Storage environment temperature | -20 ~ 60°C | |
| Storage environment humidity | 10 ~ 90% RH (non-condensing) | |
| Sine vibration test | 10 ~ 500Hz, 30m/s ² , X, Y, Z direction/hour | |
| Cooling mode | Natural air cooling | |
| Product certification | | |
| Panel protection grade | Conforming to IP65 certification(4208—93) | |
| CE authentication | EN61000-6-4:2007+A1:2011, EN61000-6-2:2005 | |
| Software | | |
| Configuration software | Kinco DTools V3.2 and above version | |

Mechanical Dimensions (Unit : mm)

* Remarks: It is estimated that they will listing on the fourth quarter of 2018. Coming soon.

* Remarks: It is estimated that they will listing on the fourth quarter of 2018. Coming soon.

GH Series 7"

GH070/GH070E

- Suitable for high reliability expected situations
- Three anti - spraying + multiple isolation more reliable
- Up to four serial port +SD card expansion
- artistically ultra-narrow border



| Model | GH070 | GH070E | Mechanical Dimensions (Unit : mm) |
|-------------------------------------|--|---------------------------|-------------------------------------|
| Performance specification | | | |
| Display size | 7" TFT | | |
| Display area | 154.08mm(W)x85.92mm(H) | | |
| Resolution | 800*480 pixels | | |
| Display color | 16.7M color | | |
| Display angle of view | 70/70/50/70(left/right/up/down) | | |
| Contrast ratio | 500:1 | | |
| Backlight | LED | | |
| Brightness | 400cd/m ² | | |
| Backlight life | More than 30000 hours | | |
| Touch panel | 4 line precision resistance network (surface hardness 4H) | | |
| CPU | ARM RISC 32Bit 792MHz | | |
| Storage | 128MB NAND Flash Memory+128MB DDR3 Memory | | |
| RTC | Built-in | | |
| Extensible memory | 1 USB Host | 1 USB Host + 1 SD Card | |
| Print port | USB Host/serial port | USB Host/serial port | |
| Ethernet | None | 10/100MHz self-adaption | |
| Program download | USB Slave/U disk | USB Slave/U disk/Ethernet | |
| Communication port | COM0:RS232/RS485/RS422; COM1:RS232/RS485/RS422; COM2:RS232; COM3:RS485 | | |
| Serial port isolation | None | Built-in | |
| Electrical specifications | | | |
| Input power supply | DC12V~DC28V,Built-in isolation power supply | | |
| Rated power | 5W @24V DC | | |
| Allowable loss of power | <3ms | | |
| Insulation resistance | Over 50MΩ@500V DC | | |
| Hi-pot test | 500 VAC 1 minute | | |
| Structure specifications | | | |
| Shell material | Engineering plastic | | |
| Shape size | 207mm*125mm*41mm | | |
| Cutout size | 194mm*113mm | | |
| Weight | 0.6Kg | | |
| Environmental specifications | | | |
| Temperature of working environment | -10 ~ 55 °C | | |
| Humidity of working environment | 10 ~ 90% RH (non-condensing) | | |
| Storage environment temperature | -20 ~ 60 °C | | |
| Storage environment humidity | 10 ~ 90% RH (non-condensing) | | |
| Sine vibration test | 10 ~ 500Hz, 30m/s ² , X, Y, Z direction/hour | | |
| Cooling mode | Natural air cooling | | |
| Product certification | | | |
| Panel protection grade | Conforming to IP65 certification(4208—93) | | |
| CE authentication | EN61000-6-4:2007+A1:2011, EN61000-6-2:2005 | | |
| Software | | | |
| Configuration software | Kinco DTools V3.2 and above version | | |

* Remarks: GH070 can replace MT4404T; GH070E can replace MT4424TE.
(Old version projects can be simulated in DTools and download to Green series's HMI)

GH Series 10.4"

GH104E

- Suitable for high reliability expected situations
- Three anti - spraying + multiple isolation more reliable
- Up to four serial port +SD card expansion
- industrial size 4:3,display area is 20% higher than the widescreen

| Model | GH104E* | Mechanical Dimensions (Unit : mm) |
|-------------------------------------|--|-------------------------------------|
| Performance specification | | |
| Display size | 10.4" TFT | |
| Display area | 211.20mm(W)x158.40mm(H) | |
| Resolution | 800*600 pixel | |
| Display color | 16.7M color | |
| Display angle of view | 70/70/60/70(left/right/up/down) | |
| Contrast ratio | 500:1 | |
| Backlight | LED | |
| Brightness | 350cd/m ² | |
| Backlight life | More than 30000 hours | |
| Touch panel | 4 line precision resistance network (surface hardness 4H) | |
| CPU | ARM RISC 32Bit 792MHz | |
| Storage | 128MB NAND Flash Memory+128MB DDR3 Memory | |
| RTC | Built-in | |
| Extensible memory | 1 USB Host + 1 SD Card | |
| Print port | USB Host/serial port | |
| Ethernet | 10/100MHz self-adaption | |
| Program download | USB Slave/U disk/Ethernet | |
| Communication port | COM0:RS232/RS485/RS422; COM1: RS232/RS485/RS422; COM2:RS232; COM3: RS485 | |
| Serial port isolation | Built-in | |
| Electrical specifications | | |
| Input power supply | DC12V ~ DC28V,Built-in isolation power supply | |
| Rated power | 8W | |
| Allowable loss of power | <3ms | |
| Insulation resistance | Over 50MΩ@500V DC | |
| Hi-pot test | 500 VAC 1 minute | |
| Structure specifications | | |
| Shell material | Engineering plastic | |
| Shape size | 310mm*230mm*56mm | |
| Cutout size | 299mm*219mm | |
| Weight | 1.715Kg | |
| Environmental specifications | | |
| Temperature of working environment | -10 ~ 55 °C | |
| Humidity of working environment | 10 ~ 90% RH (non-condensing) | |
| Storage environment temperature | -20 ~ 60 °C | |
| Storage environment humidity | 10 ~ 90% RH (non-condensing) | |
| Sine vibration test | 10 ~ 500Hz, 30m/s ² , X, Y, Z direction/hour | |
| Cooling mode | Natural air cooling | |
| Product certification | | |
| Panel protection grade | Conforming to IP65 certification(4208—93) | |
| CE authentication | EN61000-6-4:2007+A1:2011, EN61000-6-2:2005 | |
| Software | | |
| Configuration software | Kinco DTools V3.2 and above version | |

* Remarks: It is estimated that they will listing on the fourth quarter of 2018. Coming soon.

GH Series 15"

GH150E

- It is suitable for high reliability expected situations
- Three anti-spraying + multiple isolation more reliable
- Up to four serial port + SD card expansion
- Fashion design, graceful and decent



| Model | GH150E | Mechanical Dimensions (Unit : mm) |
|-------------------------------------|--|-----------------------------------|
| Performance specification | | |
| Display size | 15" TFT | |
| Display area | 304.13mm(W)x228.10mm(H) | |
| Resolution | 1024*768 pixel | |
| Display color | 65536 colors | |
| Display angle of view | 80/80/80/80(left/right/up/down) | |
| Contrast ratio | 800:1 | |
| Backlight | LED | |
| Brightness | 420cd/m ² | |
| Backlight life | 50000 hours | |
| Touch panel | 4 line precision resistance network (surface hardness 4H) | |
| CPU | ARM RISC 32Bit 792MHz | |
| Storage | 128MB NAND Flash Memory+128MB DDR3 Memory | |
| RTC | Built-in | |
| Extensible memory | 1 USB Host + 1 SD card | |
| Print port | USB Host/serial port | |
| Ethernet | 10/100MHz self-adaption | |
| Program download | USB Slave/U disk/Ethernet | |
| Communication port | COM0:RS232/RS485/RS422; COM1:RS232/RS485/RS422; COM2:RS232; COM3:RS485 | |
| Serial port isolation | Built-in | |
| Electrical specifications | | |
| Input power supply | DC21V ~ DC28V, Built-in isolation power supply | |
| Rated power | 16W | |
| Allowable loss of power | <3ms | |
| Insulation resistance | Over 50MΩ@500V DC | |
| Hi-pot test | 500 VAC 1 minute | |
| Structure specifications | | |
| Shell material | Engineering plastic | |
| Shape size | 398mm*298mm*47mm | |
| Cutout size | 383mm*283mm | |
| Weight | 3Kg | |
| Environmental specifications | | |
| Temperature of working environment | -10 ~ 55°C | |
| Humidity of working environment | 10 ~ 90% RH (non-condensing) | |
| Storage environment temperature | -20 ~ 60°C | |
| Storage environment humidity | 10 ~ 90% RH (non-condensing) | |
| Sine vibration test | 10 ~ 500Hz, 30m/s ² , X, Y, Z direction/hour | |
| Cooling mode | Natural air cooling | |
| Product certification | | |
| Panel protection grade | Conforming to IP65 certification(4208—93) | |
| CE authentication | EN61000-6-4:2007+A1:2011, EN61000-6-2:2005 | |
| Software | | |
| Configuration software | Kinco DTools V3.2 and above version | |

* Remarks: GH150E can replace MT4720TE. (Old version projects can be simulated in DTools and download to Green series's HMI)

G Series 7"

G070/G070E/G070E-CAN

- Built-in isolation power to enhance reliability
- High brightness liquid crystal provide better display effect
- CAN port is supported
- Three series ports meet diverse needs

| Model | G070* | G070E* | G070E-CAN* | Mechanical Dimensions (Unit : mm) |
|-------------------------------------|---|----------------------------|----------------------------|-----------------------------------|
| Performance specification | | | | |
| Display size | 7" TFT | | | |
| Display area | 154.08mm(W)x85.92mm(H) | | | |
| Resolution | 800*480 pixel | | | |
| Display color | 16.7M color | | | |
| Display angle of view | 70/70/60/70(left/right/up/down) RDH10 | | | |
| Contrast ratio | 500:1 | | | |
| Backlight | LED | | | |
| Brightness | 400cd/m ² | | | |
| Backlight life | More than 30000 hours | | | |
| Touch panel | 4 line precision resistance network (surface hardness 4H) | | | |
| CPU | ARM RISC 32Bit 792MHz | | | |
| Storage | 128MB NAND Flash Memory+128MB DDR3 Memory | | | |
| RTC | Built-in | | | |
| Extensible memory | 1 USB Host | | | |
| Print port | USB Host/serial port | | | |
| Ethernet | None | 10/100MHz self-adaption | 10/100MHz self-adaption | |
| Bus interface | None | None | 1*CANopen | |
| Program download | USB Slave /U disk | USB Slave /U disk/Ethernet | USB Slave /U disk/Ethernet | |
| Communication port | COM0:RS232/RS485/RS422; COM1:RS485; COM2:RS232 | | | |
| Electrical specifications | | | | |
| Input power supply | DC12V ~ DC28V, Built-in isolation power supply | | | |
| Rated power | 3.8W | | | |
| Allowable loss of power | <3ms | | | |
| Insulation resistance | Over 50MΩ@500V DC | | | |
| Hi-pot test | 500 VAC 1 minute | | | |
| Structure specifications | | | | |
| Shell material | Engineering plastic | | | |
| Shape size | 204mm*150mm*34mm | | | |
| Cutout size | 192mm*138mm | | | |
| Weight | 0.5Kg | | | |
| Environmental specifications | | | | |
| Temperature of working environment | 0 ~ 50°C | | | |
| Humidity of working environment | 10 ~ 90% RH (non-condensing) | | | |
| Storage environment temperature | -20 ~ 60°C | | | |
| Storage environment humidity | 10 ~ 90% RH (non-condensing) | | | |
| Sine vibration test | 10 ~ 500Hz, 30m/s ² , X, Y, Z direction/hour | | | |
| Cooling mode | Natural air cooling | | | |
| Product certification | | | | |
| Panel protection grade | Conforming to IP65 certification(4208—93) | | | |
| CE authentication | EN61000-6-4:2007+A1:2011, EN61000-6-2:2005 | | | |
| Software | | | | |
| Configuration software | Kinco DTools V3.2 and above version | | | |

* Remarks: It is estimated that they will listing on the fourth quarter of 2018. Coming soon.

GL Series 4.3"

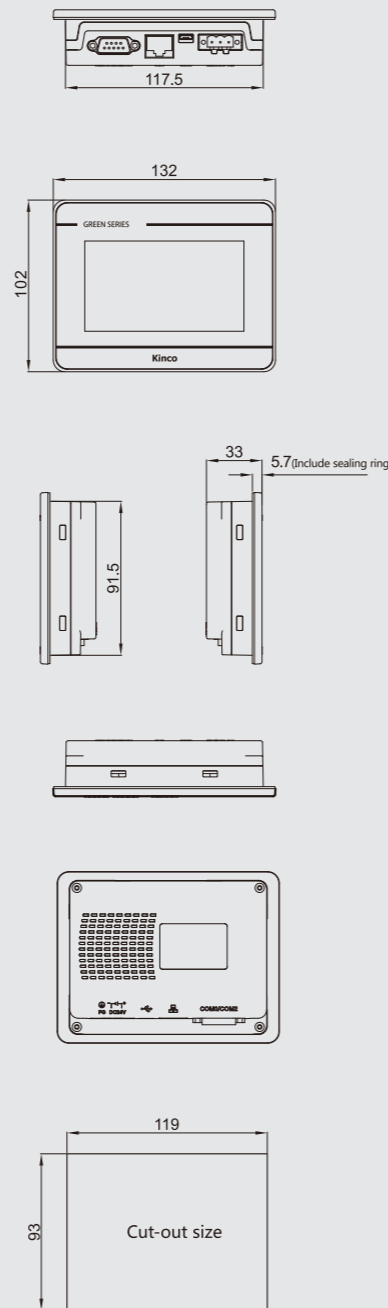
GL043/GL043E

- Suitable for small space occasions
- Beautiful appearance, ultra-thin body
- High cost-effective



| Model | GL043 | GL043E |
|-------------------------------------|---|--------------------------------|
| Performance specification | | |
| Display size | 4.3" TFT | |
| Display area | 95.04mm(W)x53.86mm(H) | |
| Resolution | 480*272 pixels | |
| Display color | 16.7M color | |
| Display angle of view | 70/70/50/70(left/right/up/down) | |
| Contrast ratio | 500:1 | |
| Backlight | LED | |
| Brightness | 450cd/m ² | |
| Backlight life | More than 30000 hours | |
| Touch panel | 4 line precision resistance network (surface hardness 4H) | |
| CPU | ARM RISC 32Bit 792MHz | |
| Storage | 128MB NAND Flash Memory+128MB DDR3 Memory | |
| RTC | Built-in | |
| Extensible memory | None | |
| Print port | Serial port | |
| Ethernet | None | 10/100MHz self-adaption |
| Program download | USB Slave/Serial port | USB Slave/Serial port/Ethernet |
| Communication port | COM0:RS232/RS485/RS422; COM2:RS232 | |
| Electrical specifications | | |
| Input power supply | DC10V ~ DC28V | |
| Rated power | 2W @24V DC | |
| Allowable loss of power | <3ms | |
| Insulation resistance | Over 50MΩ@500V DC | |
| Hi-pot test | 500 VAC 1 minute | |
| Structure specifications | | |
| Shell material | Engineering plastic | |
| Shape size | 132mm*102mm*33mm | |
| Cutout size | 119mm*93mm | |
| Weight | 0.21Kg | |
| Environmental specifications | | |
| Temperature of working environment | 0 ~ 50°C | |
| Humidity of working environment | 10 ~ 90%RH (non-condensing) | |
| Storage environment temperature | -20 ~ 60°C | |
| Storage environment humidity | 10 ~ 90%RH (non-condensing) | |
| Sine vibration test | 10 ~ 500Hz, 30m/s ² , X, Y, Z direction/hour | |
| Cooling mode | Natural air cooling | |
| Product certification | | |
| Panel protection grade | Conforming to IP65 certification(4208—93) | |
| CE authentication | EN61000-6-4:2007+A1:2011, EN61000-6-2:2005 | |
| Software | | |
| Configuration software | Kinco DTools V3.2 and above version | |

Mechanical Dimensions (Unit : mm)



* Remarks: GL043 can replace MT4230T; GL043E can replace MT4230TE.
(Old version projects can be simulated in DTools and download to Green series's HMI)

GL Series 7"

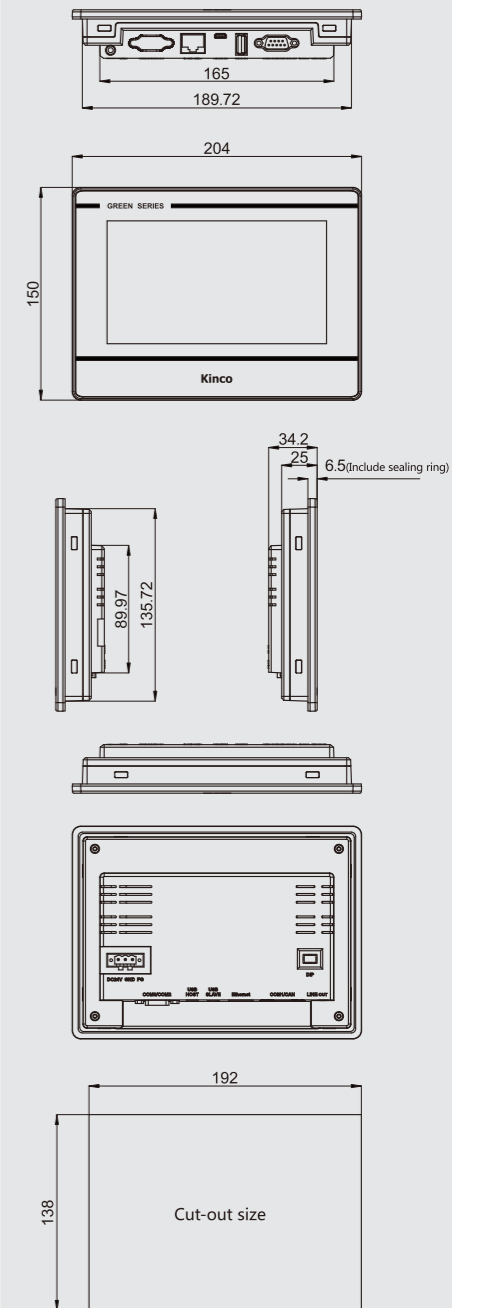
GL070/GL070E

- Preferred model for general use
- A non-hollow mask is more effective against oil pollution
- Beautiful appearance, ultra-thin body
- High cost-effective



| Model | GL070 | GL070E |
|-------------------------------------|---|---------------------------|
| Performance specification | | |
| Display size | 7" TFT | |
| Display area | 154.08mm(W)x85.92mm(H) | |
| Resolution | 800*480 pixel | |
| Display color | 16.7M color | |
| Display angle of view | 70/70/50/70(left/right/up/down) | |
| Contrast ratio | 500:1 | |
| Backlight | LED | |
| Brightness | 250cd/m ² | |
| Backlight life | More than 30000 hours | |
| Touch panel | 4 line precision resistance network (surface hardness 4H) | |
| CPU | ARM RISC 32Bit 792MHz | |
| Storage | 128MB NAND Flash Memory+128MB DDR3 Memory | |
| RTC | Built-in | |
| Extensible memory | 1 USB Host | |
| Print port | USB Host/serial port | |
| Ethernet | None | 10/100MHz self-adaption |
| Program download | USB Slave/U disk | USB Slave/U disk/Ethernet |
| Communication port | COM0:RS232/RS485/RS422; COM2:RS232 | |
| Electrical specifications | | |
| Input power supply | DC10V ~ DC28V | |
| Rated power | 3.6W @24V DC | |
| Allowable loss of power | <3ms | |
| Insulation resistance | Over 50MΩ@500V DC | |
| Hi-pot test | 500 VAC 1 minute | |
| Structure specifications | | |
| Shell material | Engineering plastic | |
| Shape size | 204mm*150mm*34mm | |
| Cutout size | 192mm*138mm | |
| Weight | 0.5Kg | |
| Environmental specifications | | |
| Temperature of working environment | 0 ~ 50°C | |
| Humidity of working environment | 10 ~ 90%RH (non-condensing) | |
| Storage environment temperature | -20 ~ 60°C | |
| Storage environment humidity | 10 ~ 90%RH (non-condensing) | |
| Sine vibration test | 10 ~ 500Hz, 30m/s ² , X, Y, Z direction/hour | |
| Cooling mode | Natural air cooling | |
| Product certification | | |
| Panel protection grade | Conforming to IP65 certification(4208—93) | |
| CE authentication | EN61000-6-4:2007+A1:2011, EN61000-6-2:2005 | |
| Software | | |
| Configuration software | Kinco DTools V3.2 and above version | |

Mechanical Dimensions (Unit : mm)



* Remarks: GL070 can replace MT4434T; GL070E can replace MT4434TE.
(Old version projects can be simulated in DTools and download to Green series's HMI)

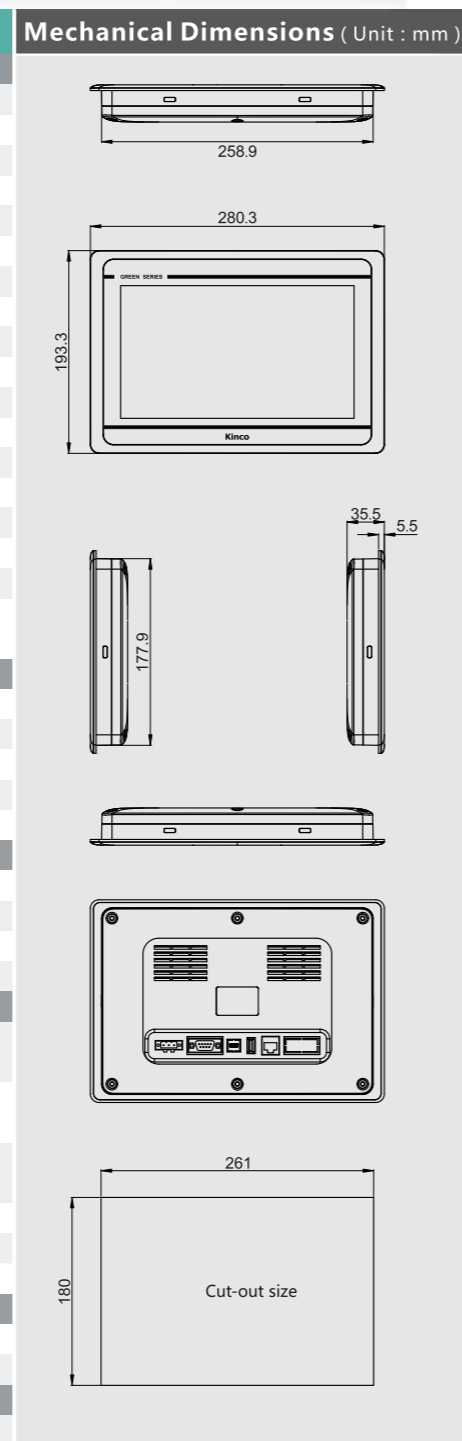
GL Series 10.1"

GL100/GL100E

- Preferred model for general use in 10 inch screen
- A non-hollow mask is more effective against oil pollution
- Beautiful appearance, ultra-thin body
- High cost-effective



| Model | GL100 | GL100E |
|-------------------------------------|---|---------------------------|
| Performance specification | | |
| Display size | 10.1" TFT | |
| Display area | 222.72mm(W)x125.28mm(H) | |
| Resolution | 1024*600 pixels | |
| Display color | 16.7M color | |
| Display angle of view | 70/70/60/70(left/right/up/down) | |
| Contrast ratio | 500:1 | |
| Backlight | LED | |
| Brightness | 400cd/m ² | |
| Backlight life | More than 30000 hours | |
| Touch panel | 4 line precision resistance network (surface hardness 4H) | |
| CPU | ARM RISC 32Bit 792MHz | |
| Storage | 128MB NAND Flash Memory+128MB DDR3 Memory | |
| RTC | Built-in | |
| Extensible memory | 1 USB Host | |
| Print port | USB Host/serial port | |
| Ethernet | None | 10/100MHz self-adaption |
| Program download | USB Slave/U disk | USB Slave/U disk/Ethernet |
| Communication port | COM0:RS232/RS485/RS422; COM2:RS232 | |
| Electrical specifications | | |
| Input power supply | DC10V ~ DC28V | |
| Rated power | 6W @24V DC | |
| Allowable loss of power | <3ms | |
| Insulation resistance | Over 50MΩ@500V DC | |
| Hi-pot test | 500 VAC 1 minute | |
| Structure specifications | | |
| Shell material | Engineering plastic | |
| Shape size | 280mm*193mm*36mm | |
| Cutout size | 261mm*180mm | |
| Weight | 0.9Kg | |
| Environmental specifications | | |
| Temperature of working environment | 0 ~ 50°C | |
| Humidity of working environment | 10 ~ 90%RH (non-condensing) | |
| Storage environment temperature | -20 ~ 60°C | |
| Storage environment humidity | 10 ~ 90%RH (non-condensing) | |
| Sine vibration test | 10 ~ 500Hz, 30m/s ² , X, Y, Z direction/hour | |
| Cooling mode | Natural air cooling | |
| Product certification | | |
| Panel protection grade | Conforming to IP65 certification(4208—93) | |
| CE authentication | EN61000-6-4:2007+A1:2011, EN61000-6-2:2005 | |
| Software | | |
| Configuration software | Kinco DTools V3.2 and above version | |



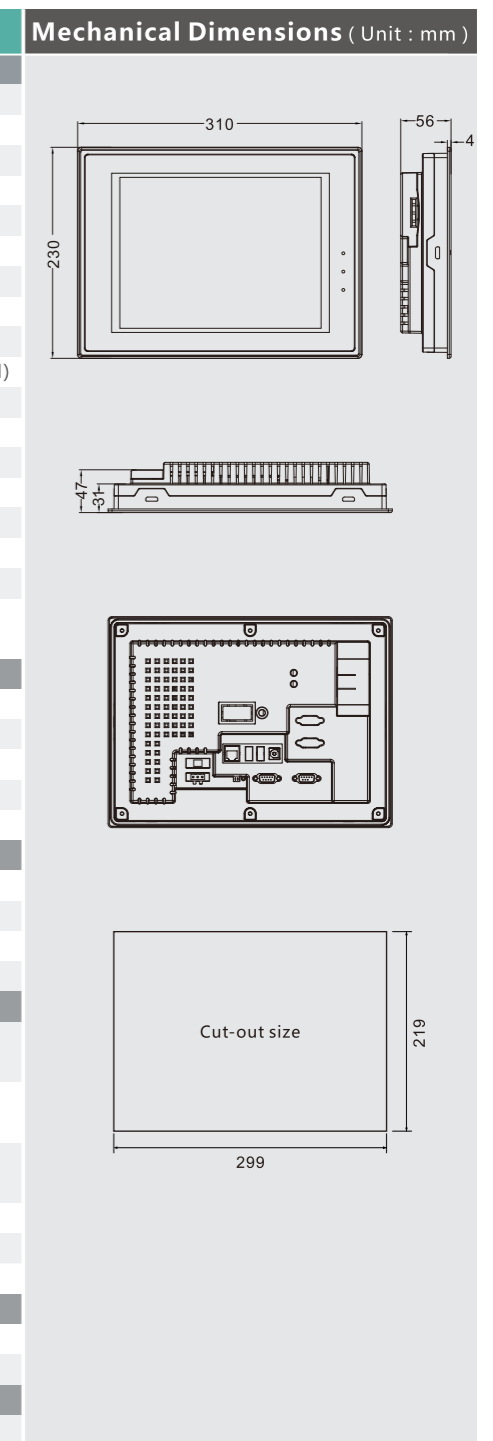
* Remarks: GH100 can replace MT4532T; GH100E can replace MT4532TE.
(Old version projects can be simulated in DTools and download to Green series's HMI)

GL Series 10.4"

GL104E

- Built-in isolated power supply to enhance reliability
- Industrial size 4:3, possessing greatful visual coordination
- Firm structure
- High cost-effective

| Model | GL104E* |
|-------------------------------------|---|
| Performance specification | |
| Display size | 10.4" TFT |
| Display area | 211.20mm(W)x158.40mm(H) |
| Resolution | 800*600 pixel |
| Display color | 16.7M color |
| Display angle of view | 70/70/60/70(left/right/up/down) |
| Contrast ratio | 500:1 |
| Backlight | LED |
| Brightness | 350cd/m ² |
| Backlight life | More than 30000 hours |
| Touch panel | 4 line precision resistance network (surface hardness 4H) |
| CPU | ARM RISC 32Bit 792 MHz |
| Storage | 128MB NAND Flash Memory+128MB DDR3 Memory |
| RTC | Built-in |
| Extensible memory | 1 USB Host |
| Print port | USB Host/serial port |
| Ethernet | 10/100MHz self-adaption |
| Program download | USB Slave/U disk/Ethernet |
| Communication port | COM0:RS232/RS485/RS422; COM2:RS232 |
| Electrical specifications | |
| Input power supply | DC12V ~ DC28V, Built-in isolation power supply |
| Rated power | 8W |
| Allowable loss of power | <3ms |
| Insulation resistance | Over 50MΩ@500V DC |
| Hi-pot test | 500 VAC 1 minute |
| Structure specifications | |
| Shell material | Engineering plastic |
| Shape size | 310mm*230mm*56mm |
| Cutout size | 299mm*219mm |
| Weight | 1.715Kg |
| Environmental specifications | |
| Temperature of working environment | 0 ~ 50°C |
| Humidity of working environment | 10 ~ 90%RH (non-condensing) |
| Storage environment temperature | -20 ~ 60°C |
| Storage environment humidity | 10 ~ 90%RH (non-condensing) |
| Sine vibration test | 10 ~ 500Hz, 30m/s ² , X, Y, Z direction/hour |
| Cooling mode | Natural air cooling |
| Product certification | |
| Panel protection grade | Conforming to IP65 certification(4208—93) |
| CE authentication | EN61000-6-4:2007+A1:2011, EN61000-6-2:2005 |
| Software | |
| Configuration software | Kinco DTools V3.2 and above version |



* Remarks: It is estimated that they will listing on the fourth quarter of 2018. Coming soon.

GL Series 15"

GL150E

- Preferred model for general use in 15 inch screen
- Built-in isolated power supply to enhance reliability
- Industrial size 4:3,possessing greatful visual coordination
- Firm structure



| Model | GL150E | Mechanical Dimensions (Unit : mm) |
|-------------------------------------|---|-----------------------------------|
| Performance specification | | |
| Display size | 15" TFT | |
| Display area | 304.13mm(W)x228.10mm(H) | |
| Resolution | 1024*768 pixel | |
| Display color | 65536 colors | |
| Display angle of view | 80/80/80/80(left/right/up/down) | |
| Contrast ratio | 800:1 | |
| Backlight | LED | |
| Brightness | 420cd/m ² | |
| Backlight life | 50000 hours | |
| Touch panel | 4 line precision resistance network (surface hardness 4H) | |
| CPU | ARM RISC 32Bit 792MHz | |
| Storage | 128MB NAND Flash Memory+128MB DDR3 Memory | |
| RTC | Built-in | |
| Extensible memory | 1 USB Host | |
| Print port | USB Host/serial port | |
| Ethernet | 10/100MHz self-adaption | |
| Program download | USB Slave/U disk/Ethernet | |
| Communication port | COM0:RS232/RS485/RS422; COM2:RS232 | |
| Electrical specifications | | |
| Input power supply | DC21V ~ DC28V | |
| Rated power | 16W@24V DC | |
| Allowable loss of power | <3ms | |
| Insulation resistance | Over 50MΩ@500V DC | |
| Hi-pot test | 500 VAC 1 minute | |
| Structure specifications | | |
| Shell material | Engineering plastic | |
| Shape size | 398mm*298mm*47mm | |
| Cutout size | 383mm*283mm | |
| Weight | 3Kg | |
| Environmental specifications | | |
| Temperature of working environment | -10 ~ 55°C | |
| Humidity of working environment | 10 ~ 90%RH (non-condensing) | |
| Storage environment temperature | -20 ~ 60°C | |
| Storage environment humidity | 10 ~ 90%RH (non-condensing) | |
| Sine vibration test | 10 ~ 500Hz, 30m/s ² , X, Y, Z direction/hour | |
| Cooling mode | Natural air cooling | |
| Product certification | | |
| Panel protection grade | Conforming to IP65 certification(4208—93) | |
| CE authentication | EN61000-6-4:2007+A1:2011, EN61000-6-2:2005 | |
| Software | | |
| Configuration software | Kinco DTools V3.2 and above version | |

SZ7 Series handheld terminal

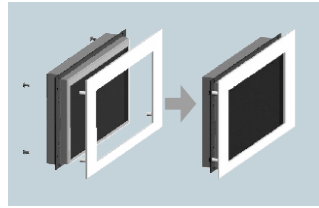
- Series:SZ7 (Kinco HMIWare software), SZ7(WinCE).
- Remote control: with hand-held terminal, support 5m/10m/15m long distance operation.
- Easy for installation: support FDMI standard(75 * 75mm) bracket or rack installation.



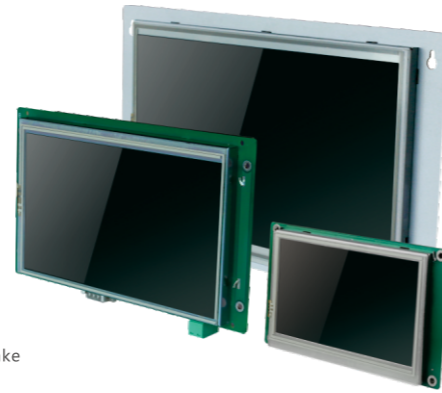
| Model | SZ7 | SZ7S | SZ7E | SZ7ES | Mechanical Dimensions Unit : mm | | | | |
|-------------------------------------|---|--------------------------|------|-------|---------------------------------|---|------|---|--|
| Performance specification | | | | | | | | | |
| Display size | 7" TFT | | | | | | | | |
| Resolution | 800*480 pixels | | | | | | | | |
| Display color | 65536 colors | | | | | | | | |
| Brightness | 250cd/m ² | | | | | | | | |
| Backlight | LED | | | | | | | | |
| Touch panel | 4 line precision resistance network (surface hardness 4H) | | | | | | | | |
| Backlight life | 50000 hours | | | | | | | | |
| Programable button | 10 | | | | | | | | |
| Programable LED | 2 | | | | | | | | |
| Emergency button | 1 | | | | | | | | |
| Selection switch | 1 | | | | | | | | |
| Handhold switch | None | | | | | 1 | None | 1 | |
| Processor | 800MHz RISC | | | | | | | | |
| Memory | 128MB Flash + 64MB RAM | | | | | | | | |
| Recipe memory&RTC | 256KB + RTC | | | | | | | | |
| Expandable memory | 1 USB Host | | | | | | | | |
| Series port | 1*RS485-2,RS232 | RS232 | | | | | | | |
| Ethernet | None | 1*10M/100M self-adaptive | | | | | | | |
| Program download | RS232,USB Host | RS232,USB Host,Ethernet | | | | | | | |
| COM port | RS485-2,RS232 | RS232,Ethernet | | | | | | | |
| Electrical specifications | | | | | | | | | |
| Power supply isolation | Built-in | | | | | | | | |
| Rated power | 8W | | | | | | | | |
| Rated voltage | DC24V | | | | | | | | |
| Input range | 16 ~ 32V DC | | | | | | | | |
| Power down allowed | <3ms | | | | | | | | |
| Insulation resistance | Over 50MΩ@500V DC | | | | | | | | |
| Dielectric strength test | 500V AC 1 minute | | | | | | | | |
| Cable length | 5 m | | | | | | | | |
| Structure specifications | | | | | | | | | |
| Shell color | Black | | | | | | | | |
| Shell material | Engineering plastic | | | | | | | | |
| Dimensions | 220*156*45 mm | | | | | | | | |
| Installation | Bracket mounting,suspension mounting | | | | | | | | |
| Environmental specifications | | | | | | | | | |
| Operating temperature | 0 ~ 50°C | | | | | | | | |
| Operating humidity | 10 ~ 90%RH (non-condensing) | | | | | | | | |
| Storage temperature | -10 ~ 60°C | | | | | | | | |
| Storage humidity | 10 ~ 90%RH (non-condensing) | | | | | | | | |
| Sine vibration test | 10 ~ 500Hz, 30m/s ² , X, Y, Z direction/hour | | | | | | | | |
| Cooling mode | Natural air cooling | | | | | | | | |
| Product certification | | | | | | | | | |
| Degree of protection | Front panel IP65,overall unit IP62 | | | | | | | | |
| CE authentication | EN61000-6-4:2007+A1:2011, EN61000-6-2:2005 | | | | | | | | |
| Software | | | | | | | | | |
| Configuration software | Kinco HMIWare V2.5 | | | | | | | | |

Kinco MT4000R series

Embedded HMI (no front and back shell)



- R series includes 5 types: MT4043R, MT4070R, MT4070ER, MT4100R, MT4100ER;
- R series's USB slave use MicroUSB port;
- ER are the products with Ethernet port, COM1 (RS485-2W) is terminal type;
- R series use rear mounting method, which can make HMI perfectly fix with device interface and integrate with device.
- Depend on requirements, customers can design mask, which make device looks more luxurious.



| Model | MT4043R | MT4070R | MT4070ER | MT4100R | MT4100ER |
|-------------------------------------|---|--|--------------------------|--|--------------------------|
| Performance specification | | | | | |
| Display size | 4.3" TFT | 7" TFT | | 10.1" TFT | |
| Resolution | 480*272 pixel | 800*480 pixel | | 1024*600 pixel | |
| Display color | 65536 colors | 65536 colors | | 65536 colors | |
| Brightness | 250cd/m ² | 250cd/m ² | | 200cd/m ² | |
| Backlight | LED | | | | |
| Touch panel | 4 line precision resistance network (surface hardness 4H) | | | | |
| Backlight life | 50000 hours | | | | |
| Processor | 800MHz RISC | | | | |
| Memory | 128MB Flash + 64MB DDR2 | | | | |
| Recipe memory&RTC | 256KB + RTC | | | | |
| Expandable memory | 1 USB Host(≤16G) | 1 USB Host(≤16G) 1SD card(≤16G only ER support) | | 1 USB Host(≤16G) 1SD card(≤16G only ER support) | |
| Print port | USB Slave/Serial port | USB Slave/Serial port | | USB Slave/Serial port | |
| Ethernet | None | None | 10/100M self-adaptive | None | 10/100M self-adaptive |
| Program download | USB/Serial port | USB/Serial port | USB/Serial port/Ethernet | USB/Serial port | USB/Serial port/Ethernet |
| COM port | COM0:RS485-2W/4W,RS232; COM2:RS232; | COM0:RS485-2W/4W,RS232; COM1:RS485-2W (only ER support); COM2:RS232; | | COM0:RS485-2W/4W,RS232; COM1:RS485-2W (only ER support); COM2:RS232; | |
| Electrical specification | | | | | |
| Rated power | 2.4W | 5W | | 5.5W | |
| Rated voltage | DC24V | DC24V | | DC24V | |
| Input range | 12 ~ 28V DC | 12 ~ 28V DC | | 12 ~ 28V DC | |
| Power down allowed | <3ms | <3ms | | <3ms | |
| Insulation resistance | Over 50MΩ@500V DC | Over 50MΩ@500V DC | | Over 50MΩ@500V DC | |
| Dielectric strength test | 500V AC 1 minute | 500V AC 1 minute | | 500V AC 1 minute | |
| Structure specifications | | | | | |
| Shell color | - | - | | Grey | |
| Shell material | Mental | Mental | | Mental | |
| Dimensions | 128*75*27 mm | 190.4*110*30 mm | | 275.6*163.6*32 mm | |
| Cutout size | 107.2*68.9 mm | 166*101 mm | | 238*148 mm | |
| Weight | 0.2Kg | 0.3Kg | | 0.9Kg | |
| Environmental specifications | | | | | |
| Operating temperature | 0 ~ 50°C | | | | |
| Operating humidity | 10 ~ 90%RH (non-condensing) | | | | |
| Storage temperature | -10 ~ 60°C | | | | |
| Storage humidity | 10 ~ 90%RH (non-condensing) | | | | |
| Sine vibration test | 10 ~ 500Hz, 30m/s ² , X, Y, Z direction/hour | | | | |
| Cooling mode | Natural air cooling | | | | |
| Product certification | | | | | |
| Degree of protection | IP65(4208--93) | | | | |
| CE authentication | EN61000-6-4:2007+A1:2011, EN61000-6-2:2005 | | | | |
| FCC compatibility | Complies with FCC Class A | | | | |
| Software | | | | | |
| Configuration software | Kinco HMIware V2.5 | | | | |

Kinco CZ6

Design for severe environment only

- Outer shell use high thermostability,high intensity,anti-uvioresistant material ensure the best performance when HMI working in the severe environment.
- With wide range temperature LCD,working temperature can be -20°C - 60°C.
- Highly shockproof performance.
- Multiple serial ports,CAN port,support CANopen/CANJ1939/serials port/RS232/RS485.
- Whole body IP65 protection.



| Model | CZ6 | Mechanical Dimensions Unit : mm |
|-------------------------------------|---|---------------------------------|
| Performance specification | | |
| Display | 5.7" TFT | |
| Resolution | 640*480 pixels | |
| Color | 65536 colors | |
| Brightness | 700cd/m ² | |
| Backlight | LED | |
| Backlight life | 50000 hrs | |
| Processor | RISC Cortex-A8 800MHz | |
| Memory | 256MB Flash + 256MB DDR3 | |
| Recipe memory&RTC | 32KB + RTC | |
| Expandable memory | 1 USB Host | |
| Print port | USB/serial port | |
| Ethernet | None | |
| Program download | 1*USB 2.0/Serial port | |
| COM port | COM0: RS485, COM2: RS232 1 CANport | |
| Extended interface | None | |
| Electrical specifications | | |
| Rated power | 10W | |
| Rated voltage | DC 24V(Isolation) | |
| Input range | 9V ~ 36V DC | |
| Power down allowed | <3ms | |
| Insulation resistance | Over 50MΩ@500V DC | |
| Dielectric strength test | 500V AC 1 minute | |
| Structure specifications | | |
| Shell color | Navy blue | |
| Shell material | Engineering plastic | |
| Dimensions | 180.3*133.9*70.7 mm | |
| Cutout size | 171*125mm | |
| Weight | 1Kg | |
| Environmental specifications | | |
| Operating temperature | -20 ~ 60°C | |
| Operating humidity | 10 ~ 90%RH (non-condensing) | |
| Storage temperature | -30 ~ 80°C | |
| Storage humidity | 10 ~ 90%RH (non-condensing) | |
| Sine vibration test | 10 ~ 500Hz, 30m/s ² , X, Y, Z direction/hour | |
| Cooling mode | Natural air cooling | |
| Product certification | | |
| Degree of protection | IP65(whole body) | |
| FCC compatibility | Complies with FCC Class A | |
| Software | | |
| Configuration software | Kinco DTools V3.2 and above version | |

Kinco CZ10

Customized HMI-for vehicle

- RISC Cortex-A8 800MHz professional CPU.
- Larger storage space,256MB Flash+ 256MB DDR3
- With two serial port expandable,support RS232/RS485/RS422.
- With two video input
- Back-lighting keyboard,easy for night operation.
- With wide range temperature LCD,working temperature can be -20°C ~ 60°C,high brightness,full-view,sunlight Readable.
- With full item metal outer shell,with best cooling and shockproof performance,
- With isolated power supply design,suppress interference to ensure the best working performance.



| Model | CZ10 | Mechanical Dimensions Unit : mm |
|-------------------------------------|--|---------------------------------|
| Performance specification | | |
| Display | 10.4"TFT | |
| Resolution | 640*480 pixel | |
| Color | 65536 colors | |
| Brightness | 500cd/m ² | |
| Backlight | LED | |
| Backlight life | 50000 hrs | |
| Touch panel | None | |
| Funtion keys | 16 keys, programmable functions can be customized | |
| Processor | RISC Cortex-A8 800MHz | |
| Memory | 256MB Flash + 256MB RAM | |
| Recipe memory&RTC | 32KB + RTC | |
| Expandable memory | 1 USB Host (≤16G) | |
| Print port | USB Host/Slave/serial port | |
| Program download | 1*USB 2.0/Serial port | |
| COM port | 2*CAN,1*RS232/RS485/RS422,1*RS232(isolation) | |
| Video input | 2*CVBS analog signal input(BNC connector),support PAL/NTSC interface | |
| Electrical specifications | | |
| Power supply isolation | Built-in | |
| Rated power | 12W | |
| Rated voltage | DC 24V | |
| Input range | 9V ~ 36V DC | |
| Power down allowed | <3ms | |
| Insulation resistance | Over 50MΩ@500V DC | |
| Dielectric strength test | 500V AC 1 minute | |
| Structure specifications | | |
| Shell color | Brown | |
| Shell material | Aluminum alloy | |
| Dimensions | 300*226*70 mm | |
| Cutout size | 281*207 mm | |
| Weight | 3.3Kg | |
| Environmental specifications | | |
| Operating temperature | -20 ~ 70°C | |
| Operating humidity | 10 ~ 90%RH (non-condensing) | |
| Storage temperature | -30 ~ 80°C | |
| Storage humidity | 10 ~ 90%RH (non-condensing) | |
| Sine vibration test | 10 ~ 500Hz, 30m/s ² , X, Y, Z direction/hour | |
| Cooling mode | Natural air cooling | |
| Product certification | | |
| Degree of protection | IP65(4280-93) | |
| CE authentication | EN61000-6-4:2007+A1:2011, EN61000-6-2:2005 | |
| FCC compatibility | Complies with FCC Class A | |
| Software | | |
| Configuration software | Kinco DTools V3.2 and above version | |

Kinco F7 / F10

Whole body IP65 water-proof HMI

- Full item with IP65 water-proof.
- Bracket mounting flexible installation.
- 800MHz CPU.
- High resolution(F10 with 1280*800 pixels).
- Use pen-drive to up/download program easy to use.
- Fashion design.
- With isolated power supply,suppress interference to ensure the best working performance.



F7



F10

| Model | F7 | F10 | Mechanical Dimensions Unit : mm |
|-------------------------------------|---|----------------------|---------------------------------|
| Performance specification | | | |
| Display | 7"TFT | 10.1"TFT | |
| Color | 65536 colors | | |
| Resolution | 640*480 pixels | 1280*800 pixels | |
| Brightness | 300cd/m ² | 250cd/m ² | |
| Backlight | LED | | |
| Backlight life | 50000 hrs | | |
| Touch panel | 4 line precision resistance network (surface hardness 4H) | | |
| Processor | 800MHz RISC | | |
| Memory | 128MB Flash + 64MB RAM | | |
| Recipe memory&rtc | 512KB + RTC | | |
| Expandable memory | 1 USB Host (≤16G) | | |
| Print port | USB Host/serial port | | |
| Ethernet | None | | |
| Program download | USB HOST | | |
| COM port | COM0:PLC RS485-2W,COM2:PC/PLC RS232(Isolation) | | |
| Electrical specifications | | | |
| Power supply isolation | Built-in | | |
| Rated power | 5W | 8W | |
| Rated voltage | DC 24V | | |
| Input range | DC 18V ~ 28V | | |
| Power down allowed | <3ms | | |
| Insulation resistance | Over 50MΩ@500V DC | | |
| Dielectric strength test | 500 VAC 1 minute | | |
| Structure specifications | | | |
| Shell color | Metal gray | | |
| Shell material | Engineering plastic | | |
| Dimensions | 182*116*30 mm | 250*167*28.4 mm | |
| Cutout size | Bracket mounting | | |
| Weight | 0.57Kg | 0.91Kg | |
| Environmental specifications | | | |
| Operating temperature | 0 ~ 50°C | | |
| Operating humidity | 10 ~ 90%RH (non-condensing) | | |
| Storage temperature | -10 ~ 60°C | | |
| Storage humidity | 10 ~ 90%RH (non-condensing) | | |
| Sine vibration test | 10 ~ 500Hz, 30m/s ² , X, Y, Z direction/hour | | |
| Cooling mode | Natural air cooling | | |
| Product certification | | | |
| Degree of protection | IP65(4280-93) | | |
| CE authentication | EN61000-6-4:2007+A1:2011, EN61000-6-2:2005 | | |
| FCC compatibility | Complies with FCC Class A | | |
| Software | | | |
| Configuration software | Kinco HMIware V2.5 | | |